

GLDD-V100 Door Damper

Features

- Unique door damper applicable to door weight up to 100 kg
- Suitable for door weight 40 ~ 100 kg
- Damper body is completely hidden when the door is closed
- Damper and door pull-in functions work just before the door fully closes, preventing the door from slamming shut
- Damper force is adjustable
- Counter plate is 3-way adjustable

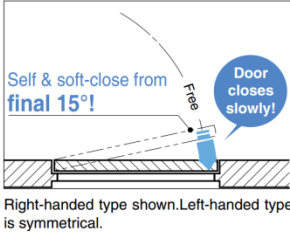
Parts Included

- Tapping screw 3.5×20
- Attachment jig
- Cut-out template

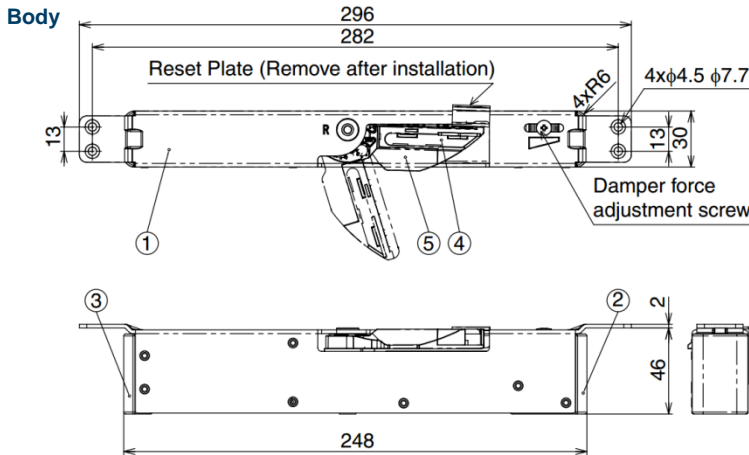
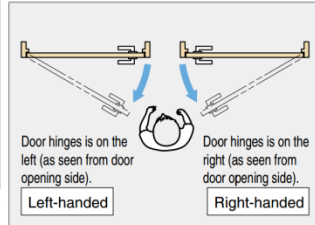
Notes

- Can be used with the concealed hinges **GHES3D-E190** and **GHES3D-160**

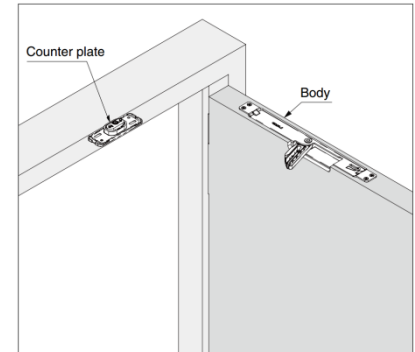
Door Movement



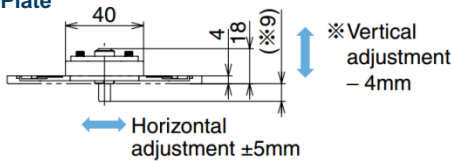
Door Hinge Side



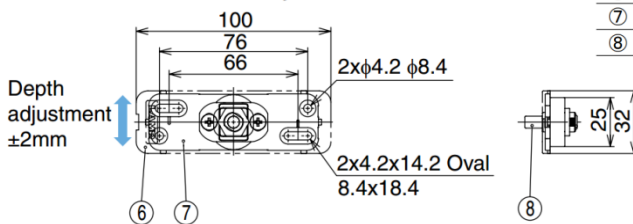
Installation



Counter Plate



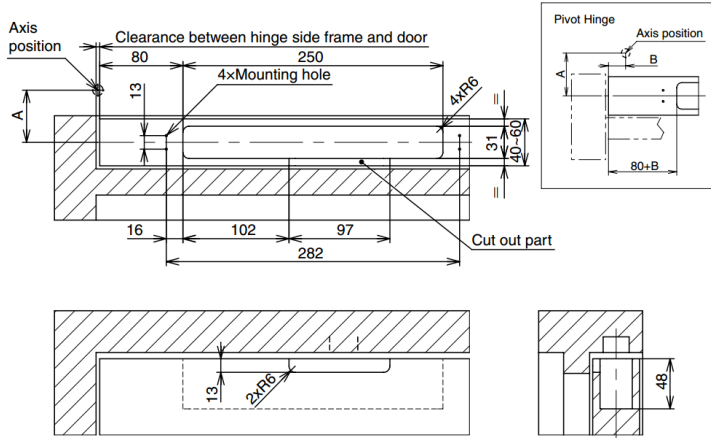
No.	Part Name	Material	Finish / Colour
①	Case	Steel (SPCC)	Nickel
②	Damper Base	POM	Grey
③	Spring Base	POM	Grey
④	Arm Cover	POM	Grey
⑤	Arm	Zinc Alloy (ZDC)	Nickel
⑥	Counter Plate Cover	ABS	Dark Brown/Nickel
⑦	Counter Plate Base	Zinc Alloy (ZDC)	-
⑧	Counter Plate Shaft	Steel (SUM)	Nickel



Part No.	Type	Counter Plate Cover	Door Width	Door Thickness	Door Weight
GLDD-V100-DBR-R	Right-handed	Dark Brown	Max. 900	40 ~ 60	40 ~ 100 kg
GLDD-V100-DBR-L	Left-handed				
GLDD-V100-NI-R	Right-handed	Nickel			
GLDD-V100-NI-L	Left-handed				

Cut Out Dimensions for Door

GLDD-V100-R (right-handed) is shown. GLDD-V100-L (left-handed) is symmetrical



Dimension from frame to bore position of counter plate (mm)

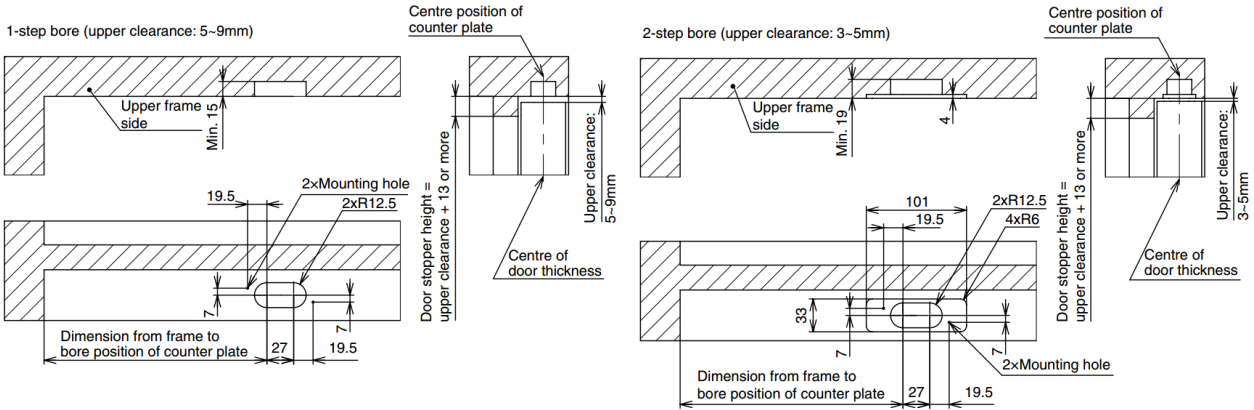
Door Hinge	Clearance Between Hinge Side Frame and Door (mm)					
	1	2	3	4	5	
GHES3D-160, E190	217	218	219	220	221	
Butt Hinge	A=20~35	220	221	222	223	224
	A=35~50	223	224	225	226	227
Pivot Hinge	A=20~35	220+B	221+B	222+B	223+B	224+B
	A=35~50	223+B	224+B	225+B	226+B	227+B

※If clearance between hinge side frame and door is beyond the range in the table above, calculate as per the table below.

Door Hinge	Dimension from Frame to Bore Position of Counter Plate (mm)	
GHES3D-160, E190	216 + Clearance Between Hinge Side Frame and Door	
Butt Hinge	A=20~35	219 + Clearance Between Hinge Side Frame and Door
	A=35~50	222 + Clearance Between Hinge Side Frame and Door
Pivot Hinge	A=20~35	219 + B + Clearance Between Hinge Side Frame and Door
	A=35~50	222 + B + Clearance Between Hinge Side Frame and Door

Cut Out Dimensions for Frame

GLDD-V100-R (right-handed) is shown. GLDD-V100-L (left-handed) is symmetrical



Safety Cautions

- Do not drop or give strong impact to this product.
- This product can not resist strong wind. Do not use it under strong wind, or the damper effect will decrease.
- If you close the door with excessive force, the damper effect may decrease.
- The door may not close enough depending on the case lock used.
- This product is designed for interior use. Do not use it outdoors.
- Do not use it at places subject to moisture and water.
- At the entrance of highly airtight room, the door closing speed and damper force may change, and the door may not close enough.
- Closing speed varies on environment (temperature, wind and hinges used on the door, etc.). Operating temperature: 0°C ~ 40°C.
- Do not apply a load in the vertical direction or excessive force to pull-in arm. Otherwise, it may be damaged.
- Please install and adjust this product after adjusting the door hinges.
- Please use the door hinges within the adaptive door weight range of this product.
- Please install this product horizontally. Otherwise, it may not operate properly.
- After vertical adjustment of counter plate, tighten the fixing nut firmly.
- This product is supplied with installation instruction. Be sure to read before installation or use.
- Regularly check for looseness or dropout of screws during use.